

Digital thermometer type PTPD



Type : PTPD
PTPD - bat.
PTPD - kont.

Application :
For gaseous and liquid media that will not obstruct the pressure system.

Description :

Protection

IP 43, according to STN EN 60 529

Connection

Radial (lower)

Accuracy class

0,5 %

Visual display

8 – digit alphanumeric display

Power supply

PTPD 12-24V/DC
PTPD - bat. 2x1,5V – battery (AA)
PTPD - kont. 12-24V/DC

Output

PTPD 4-20mA
PTPD - bat. without output
PTPD - kont. 4 x relay

Allowed temperature

ambient : -20 ... +60°C
medium : -50 ... +400°C

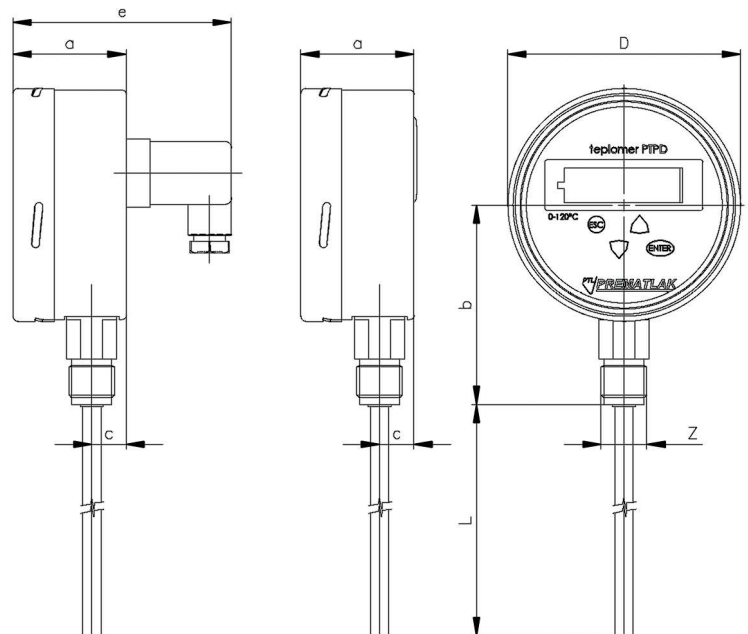
Material

Measuring element: temperature sensor PT100
Connection stem: stainless steel 1.4301
Connection: stainless steel 1.4301
Case : stainless steel 1.4301
Visor : PVC

Options

- accuracy class 0,25% or better on request
- other range on request
- other connection (thread) on special request
- output 0-20mA, 0-10V

Dimensions of thermometer (mm)



TYPE	D	A	b	c	e	Z
PTPD	101	49	86	16	96	M20x1,5 (G1/2")
PTPD-bat.	101	49	86	16		M20x1,5 (G1/2")
PTPD-kont.	101	49	86	16	96	M20x1,5 (G1/2")

TYPE	L						
PTPD	45	60	100	160	200	250	400
PTPD-bat.	45	60	100	160	200	250	400
PTPD-kont.	45	60	100	160	200	250	400

Digital thermometer type PTPD

Type :

PTPD
PTPD - bat.
PTPD - kont.

Producing ranges



Range	PTPD	PTPD - bat.	PTPD - kont.
-50 - 0 - 50°C	X	X	X
-30 - 0 - 50°C	X	X	X
-20 - 0 - 80°C	X	X	X
-20 - 0 - 60°C	X	X	X
-20 - 0 - 40°C	X	X	X
0 - 60°C	X	X	X
0 - 80°C	X	X	X
0 - 100°C	X	X	X
0 - 120°C	X	X	X
0 - 160°C	X	X	X
0 - 200°C	X	X	X
0 - 250°C	X	X	X
0 - 300°C	X	X	X
0 - 400°C	X	X	X