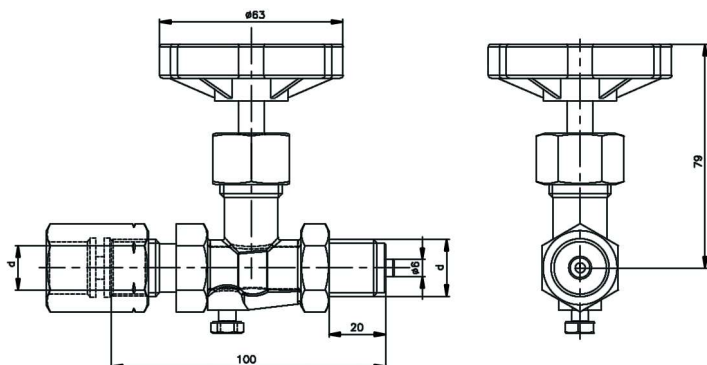


Accessories for manometers

Valves

Application :

Cocks and valves are used for correct connecting manometers with measured place.

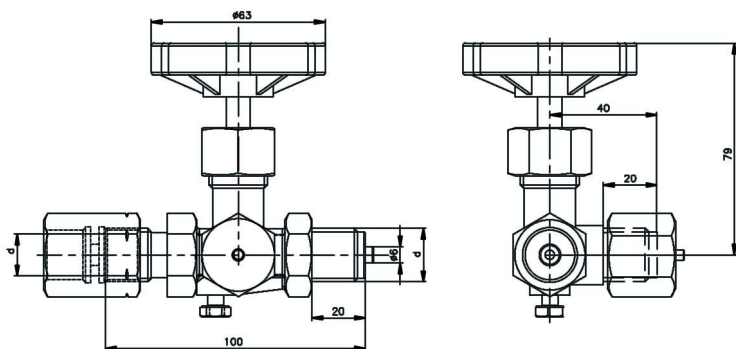


Manometer valves 2-way



TYPE	PN (bar)	d	Material					Max. temperature
			Body	Spindle	Sealing	Adapter	Handwheel	
Ve-2c Ms	250	M20x1,5 (G1/2)	brass	1.4104	PTFE	steel	plastic	120°C
Ve-2c O	400 (630)	M20x1,5 (G1/2)	steel 1.0460	1.4104	PTFE	steel	plastic	120°C
Ve-2c N	400 (630)	M20x1,5 (G1/2)	stainless steel 1.4571	1.4571	PTFE / grafit	stainless steel	plastic	200°C / 250°C

Manometer valves 3-way



TYPE	PN (bar)	d	Material					Max. Temperature
			Body	Spindle	Sealing	Adapter	Handwheel	
Ve-3c Ms	250	M20x1,5 (G1/2)	brass	01.01.04	PTFE	steel	plastic	120°C
Ve-3c O	400 (630)	M20x1,5 (G1/2)	steel 1.0460	01.01.04	PTFE	steel	plastic	120°C
Ve-3c N	400 (630)	M20x1,5 (G1/2)	stainless steel 1.4571	01.01.71	PTFE / grafit	stainless steel	plastic	200°C / 250°C