

# Bimetal thermometers angular

**Type :**                    **7109 /ø 63mm/**  
                                  **7111 /ø 80mm/**  
                                  **7110 /ø 100mm/**  
                                  **7120 /ø 160mm/**

**Application :**

Bimetal thermometers are designed for measuring temperature of gaseous, liquid or bulk media. They are suitable for use in industry, heating, air conditioning.

**Description :**

**Construction**

STN EN 13 190

**Protection**

IP 43, according to STN EN 60 529

**Connection**

Axial (back)

**Accuracy class**

2 %

**Type / Diameter Accuracy class**

- 7109 / ø 63 mm / 2
- 7111 / ø 80 mm / 2
- 7110 / ø 100 mm / 2
- 7120 / ø 160 mm / 2

**Allowed temperature**

ambient :                    -20 ... +60°C

**Material**

- Measuring element :    bimetal spiral bronze
- Stem:                            brass
- Articulated case:        aluminium Al
- Articulated insert:      brass
- Case :                          stainless steel 1.4301
- Visor :                         plastic
- Dial :                            white aluminium dial marking black
- Pointer :                      aluminium black color

**Options**

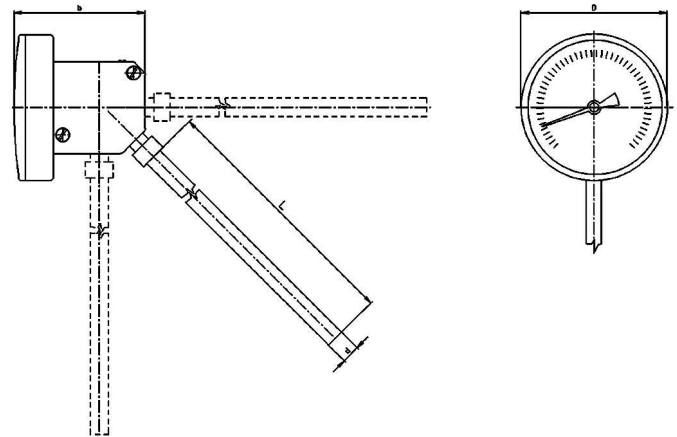
- other stem length in agreement with the manufacturer
- other units as °C

**Attention**

The thermometer can be used only in sensorpocket



**Dimensions of thermometer (mm)**



TYPE	D	d	b
7109	63	8	59
7111	80	8	59
7110	100	8	59
1111	160	8	59

**Manufactured lengths and ranges of thermometers**

Range / „L“	45	60	100	160	250	400	630	1000
-30 – 0 – 50°C			X	X	X	X	X	X
-20 – 0 – 100°C	X	X	X	X	X	X	X	X
0 – 60°C			X	X	X	X	X	X
0 – 120°C	X	X	X	X	X	X	X	X
0 – 150°C	X	X	X	X	X	X	X	X
0 – 200°C	X	X	X	X	X	X	X	X