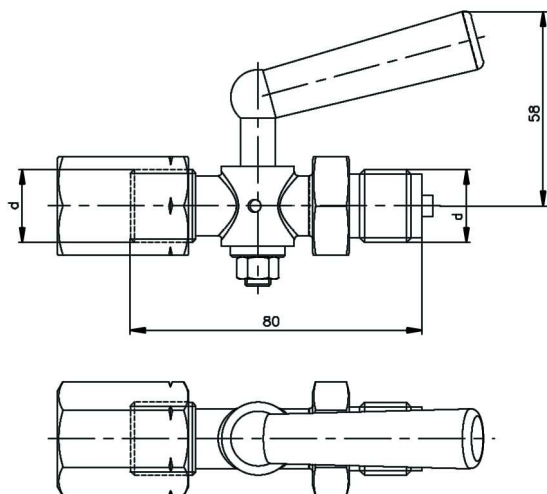


Accessories for manometers

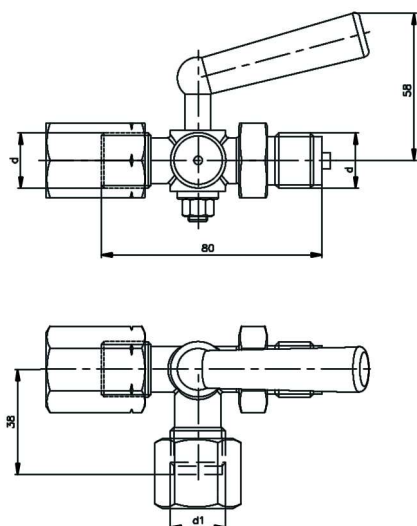
Cocks

Manometer cocks 2-way



TYPE	PN (bar)	d	Material		
			Body	Adapter	Handle
DK-PN16	16	M20x1,5 (G1/2")	brass	steel	plastic
DK-16262	25	M20x1,5 (G1/2")	brass	steel	plastic
DK-16262 O	25	M20x1,5 (G1/2")	steel	steel	plastic
DK-16262 N	25	M20x1,5 (G1/2")	stainless steel	stainless steel	plastic

Manometer cocks 3-way



TYPE	PN (bar)	d	Material		
			Body	Adapter	Handle
TK-PN16	16	M20x1,5 (G1/2")	brass	steel	plastic
TK-16263	25	M20x1,5 (G1/2")	brass	steel	plastic
TK-16263 O	25	M20x1,5 (G1/2")	steel	steel	plastic
TK-16263 N	25	M20x1,5 (G1/2")	stainless steel	stainless steel	plastic