

Control low pressure manometer with capsule diaphragm, with radial connection \varnothing 160 mm

Type : **13388 1 %**
 23388 0,6 %

Application :

For gaseous and liquid media that will not obstruct the pressure system or attack copper alloy parts. Manometers are intended for verification of the operating pressure gauges.

Description :

Construction

STN EN 837

Protection

IP 43, according to STN EN 60 529

Connection

Radial (lower)

Accuracy class

1 %; 0,6 %

Type / Diameter / Connection / Thread / Accuracy class

13388 / \varnothing 160mm / radial / M20x1,5 (G1/2") / 1
 23388 / \varnothing 160mm / radial / M20x1,5 (G1/2") / 0,6

Allowed temperature

ambient : -20 ... +60°C
 medium : max. +60°C

Material

Measuring element: bronze capsule diaphragm
 Connection : brass
 Movement : brass
 Case : stainless steel 1.4301
 Visor : glass
 Dial : white aluminium dial marking black
 Pointer : aluminium black color

Options

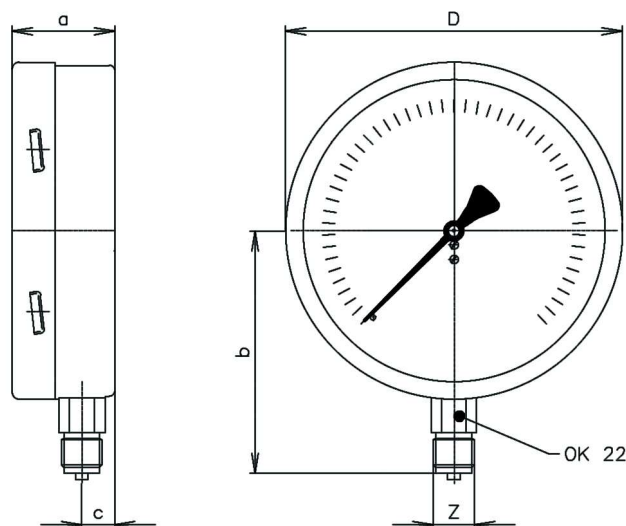
- scala in units „bar“, „PSI“, and other
- atypical eventually double scala
- other connection (thread) on special request
- realization for OXYGEN
- front or back flange



Allowed loading

Static : 75% from range
 Variable : 66% from range
 For a short term : 100% from range

Dimensions of manometer (mm)



TYPE	D	a	b	c	Z
13388	161	49	117	16	M20x1,5 (G1/2")
23388	161	49	117	16	M20x1,5 (G1/2")

Control low pressure manometer with capsule diaphragm, with radial connection ø 160 mm

Type :

13388 1 %
23388 0,6 %



Producing ranges

Range	13388	23388
0-400Pa		
0-600Pa		
0-1kPa		
0-1,6kPa	X	
0-2,5kPa	X	
0-4kPa	X	X
0-6kPa	X	X
0-10kPa	X	X
0-16kPa	X	X
0-25kPa	X	X
0-40kPa	X	X
-400-0Pa		
-600-0Pa		
-1-0kPa		
-1,6-0kPa		
-2,5-0kPa		
-4-0kPa	X	
-6-0kPa	X	
-10-0kPa	X	
-16-0kPa	X	
-25-0kPa	X	
-40-0kPa	X	
-150-0-250Pa		
-200-0-400Pa		
-400-0-600Pa		
-0,6-0-1kPa		
-1-0-1,5kPa		
-1,5-0-2,5kPa	X	
-2-0-4kPa	X	
-4-0-6kPa	X	
-6-0-10kPa	X	
-10-0-15kPa	X	
-15-0-25kPa	X	