

# Manometers for rail cars

## Type :

**03421-P / ø 80 mm/  
double with flange**  
**03421-S / ø 80 mm/  
double with clevis**

## Application :

For gaseous and liquid media that will not obstruct the pressure system or attack copper alloy parts. They are used to measure pressures in two separate pressure systems. They are suitable for measuring pressure in the brake systems of rail vehicles. Pressure gauges are manufactured with front flange for panel mounting.

## Description :

### Construction

STN EN 837

### Protection

IP 54, according STN EN 60 529

### Connection

2 x axial (back)

### Accuracy class

1,6 %

### Type / Diameter / Connection / Thread / Accuracy class

03421-P / ø 80 mm / 2x axial / 2x M12x1,5 (G1/4") / 1,6

03421-S / ø 80 mm / 2x axial / 2x M12x1,5 (G1/4") / 1,6

### Allowed temperature

ambient : -20 ... +60°C

medium: max. +60°C

### Material

Measuring element : 2 x bronze bourdon tube „C“

Connection : 2 x stainless steel 1.4301

Movement : brass

Case : steel, black color

Visor : plastic

Dial : white aluminium dial marking black  
(other on request)

Pointer : 2 x aluminium black color

Lighting : LED diode system 24V DC

### Options

- other connection (thread) as M12x1,5 or G1/4 on special request
- scala in units „bar“, „PSI“, and other
- atypical eventually double scala



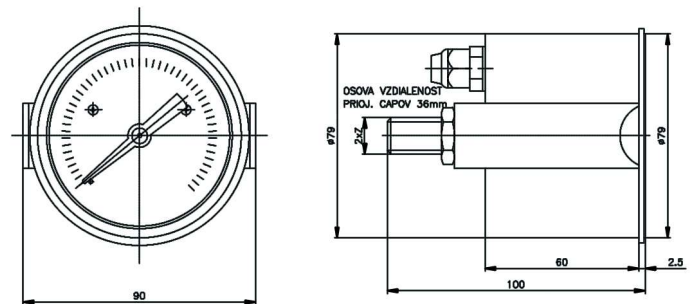
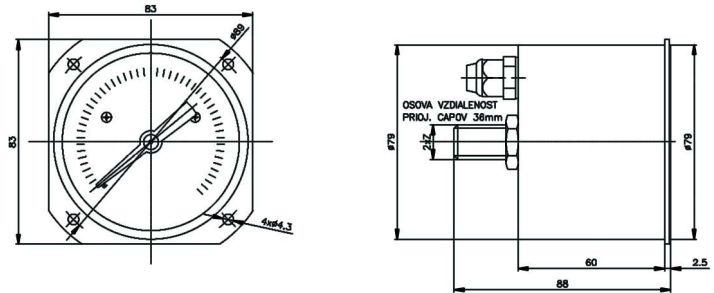
### Allowed loading

Static : 75% from range

Variable : 66% from range

For a short term : 100% from range

### Dimensions of manometer (mm)



### Producing ranges and realization

Type	Mounting	Range	Thread „Z“
03421-P	front flange	0-1MPa	2 x M12x1,5 (2 x G1/4")
03421-S	clevis		
03421-P	front flange	0-1,2MPa	2 x M12x1,5 (2 x G1/4")
03421-S	clevis		
03421-P	front flange	0-1,6MPa	2 x M12x1,5 (2 x G1/4")
03421-S	clevis		