

Low pressure manometer with capsule diaphragm, with axial connection



Type : **03399-S /ø 100mm/**
03377 /ø 160mm/

Application :

For gaseous and liquid media that will not obstruct the pressure system or attack copper alloy parts.

Description :

Construction

STN EN 837

Protection

IP 43, according to STN EN 60 529

Connection

Axial (back)

Accuracy class

4 % - 0-400Pa; -400-0Pa; -150-0-250Pa
 0-600Pa; -600-0Pa; -200-0-400Pa
 1,6 % - from 1kPa

Type / Diameter / Connection / Thread / Accuracy class

03399-S / ø 100 mm / axial / M20x1,5 (G1/2") / 1,6
 03377 / ø 160 mm / axial / M20x1,5 (G1/2") / 4; 1,6

Allowed temperature

ambient : -20 ... +60°C
 medium : max. +60°C

Material

Measuring element: bronze capsule diaphragm
 Connection : brass
 Movement : brass
 Case : stainless steel 1.4301
 Visor : glass
 Dial : white aluminium dial marking black
 Pointer : aluminium black color

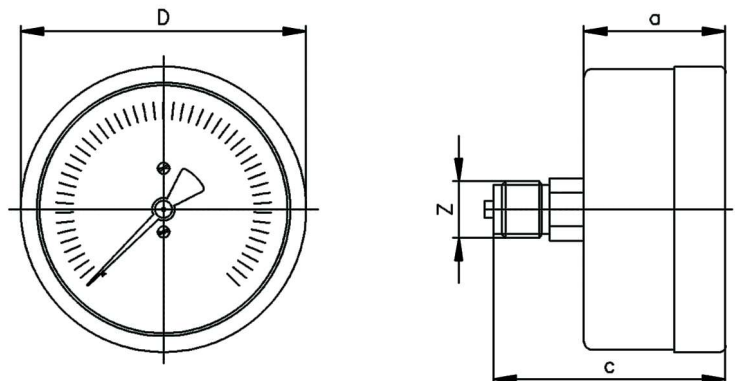
Options

- scala in units „bar“, „PSI“, and other
- atypical eventually double scala
- other connection (thread) on special request
- realization for OXYGEN
- front or back flange

Allowed loading

Static : 75% from range
 Variable : 66% from range
 For a short term : 100% from range

Dimensions of manometer (mm)



TYPE	D	a	c	Z
03399-S	101	49	82	M20x1,5 (G1/2")
03377	161	49	82	M20x1,5 (G1/2")

Low pressure manometer with capsule diaphragm, with axial connection



Type : **03399-S /ø 100mm/**
03377 /ø 160mm/

Producing ranges

Range	03399-S	03377
0-400Pa		X
0-600Pa		X
0-1kPa		X
0-1,6kPa		X
0-2,5kPa		X
0-4kPa	X	X
0-6kPa	X	X
0-10kPa	X	X
0-16kPa	X	X
0-25kPa	X	X
0-40kPa	X	X
-400-0Pa		X
-600-0Pa		X
-1-0kPa		X
-1,6-0kPa		X
-2,5-0kPa		X
-4-0kPa	X	X
-6-0kPa	X	X
-10-0kPa	X	X
-16-0kPa	X	X
-25-0kPa	X	X
-40-0kPa	X	X
-150-0-250Pa		X
-200-0-400Pa		X
-400-0-600Pa		X
-0,6-0-1kPa		X
-1-0-1,5kPa		X
-1,5-0-2,5kPa	X	X
-2-0-4kPa	X	X
-4-0-6kPa	X	X
-6-0-10kPa	X	X
-10-0-15kPa	X	X
-15-0-25kPa	X	X