

# Contact manometer with radial connection $\varnothing$ 160 mm



**Type :** 03395

## Application :

For gaseous and liquid media that will not obstruct the pressure system.

## Description :

### Construction

STN EN 837

### Protection

IP 65, according to STN EN 60 529

### Connection

Radial (lower)

### Accuracy class

4 % - range 0-100kPa  
 2,5 % - range 0-160; 250kPa  
 1,6 % - from 0-400kPa

### Type / Diameter / Connection / Thread / Accuracy class

03395 /  $\varnothing$ 160mm / radial / M20x1,5 (G1/2" )/4; 2,5; 1,6

### Allowed temperature

ambient : -20 ... +60°C  
 medium : max. +60°C

### Material

Measuring element: stainless steel (bourdon tube)  
 stainless steel 1.4571  
 Connection : stainless steel 1.4301  
 Movement : stainless steel 1.4301  
 Case : stainless steel 1.4301  
 Visor : plastic  
 Dial : white aluminium dial marking black  
 Pointer : aluminium black color

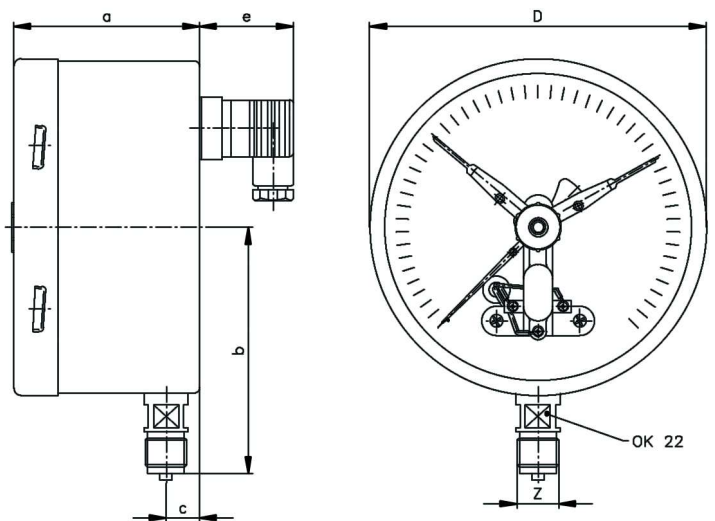
### Options

- front flange
- other connection (thread) on special request
- scala in units „bar“, „PSI“, and other
- atypical eventually double scala
- option mounting with diaphragm separator
- realization for OXYGEN

### Allowed loading

Static : 75% from range  
 Variable : 66% from range  
 For a short term : 100% from range

### Dimensions of manometer (mm)



TYPE	D	a	b	c	e	Z
03395	161	91	117	17	47	M20x1,5 (G1/2")

# Contact manometer with radial connection $\varnothing$ 160 mm

Type :

**03395**

## Producing ranges

Range	Code of range	03395
0-60kPa	01	
0-100kPa	02	X
0-160kPa	03	X
0-250kPa	04	X
0-400kPa	05	X
0-600kPa	06	X
0-1MPa	07	X
0-1,6MPa	08	X
0-2,5MPa	09	X
0-4MPa	10	X
0-6MPa	11	X
0-10MPa	12	X
0-16MPa	13	X
0-25MPa	14	X
0-40MPa	15	X
0-60MPa	16	X
0-100MPa	17	X
0-160MPa	18	X
-100-0kPa	20	X
-100-0-60kPa	21	X
-100-0-150kPa	22	X
-100-0-300kPa	23	X
-100-0-500kPa	24	X
-100-0-900kPa	25	X
-0,1-0-1,5MPa	26	X
-0,1-0-2,4MPa	27	X

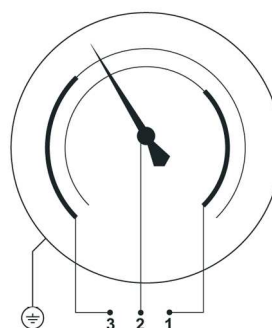
## Contact device

<b>Construction :</b>	EN 60 947
<b>Version :</b>	magnetic (non-magnetic)
<b>Material of contacts :</b>	Ag80Ni20
<b>Connection :</b>	min./min.; min./max.; max./max.
<b>Rated voltage :</b>	250V max.
<b>Switch current :</b>	1A max.
<b>NC current :</b>	1A max.
<b>Operating current :</b>	0,6A max.
<b>Switch power :</b>	AC 30W, DC 50VA



## Connection of contacts

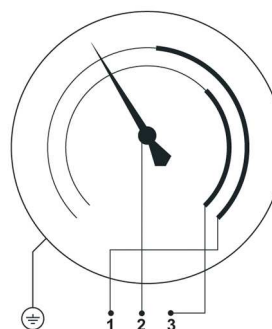
### Scheme 1.



Contacts

minimal + maximal  
(M21)

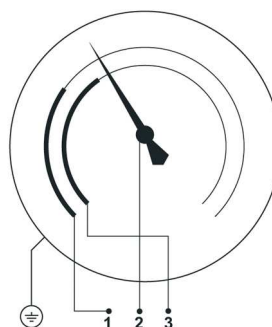
### Scheme 2.



Contacts

maximal + maximal  
(M11)

### Scheme 3.



Contacts

minimal + minimal  
(M22)