

Contact manometer with diaphragm ø 160 mm, with radial connection

Type : 03393 /ø160mm/

Application :

For gaseous and liquid media that will not obstruct the pressure system. Manometers are suitable for chemical, petrochemical, engineering industry, especially for aggressive media. Flange and the membrane material is chosen according to measured media.



Description :

Construction

STN EN 837

Protection

IP 54, according to STN EN 60 529

Connection

Radial (lower)

Accuracy class

2,5 %

Type / Diameter / Connection / Thread / Accuracy class

03393 / ø160mm / radial / M20x1,5 (G1/2") / 2,5

Allowed temperature

ambient : -20 ... +60°C
medium : max. +60°C

Material

Measuring element: galvanized steel membrane membrane
+ PTFE protective layer membrane
+ stainless steel protective foil

Connection: galvanized steel flange
stainless steel flange 1.4301
stainless steel flange rubberized
stainless steel flange with PTFE insert
stainless steel flange with PVC insert

Movement : brass
Case : black lacquered steel
Visor : plastic
Dial : white aluminium dial marking black
Pointer : aluminium black color

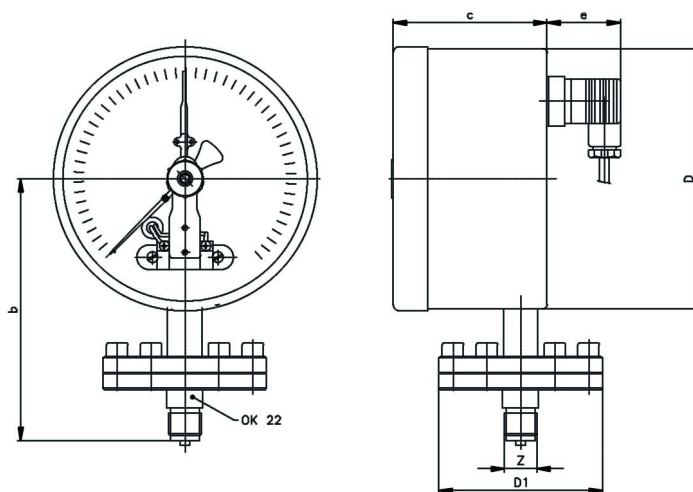
Options

- other connection (thread) on special request
- dairy open flange Rd 1/6L, M65x1, 5
- open bottom flange DN65, DN50, DN25 steel or stainless steel
- scala in units „bar“, „PSI“, and other
- atypical eventually double scala
- realization for OXYGEN

Allowed loading

Static : 75% from range
Variable : 66% from range
For a short term : 100% from range

Dimensions of manometer (mm)



TYPE	D	D1	c	b	e	Z
03393	161	100	91	149	47	M20x1,5 (G1/2")

Contact manometer with diaphragm ø 160 mm, with radial connection

Type : **03393 /ø160mm/**

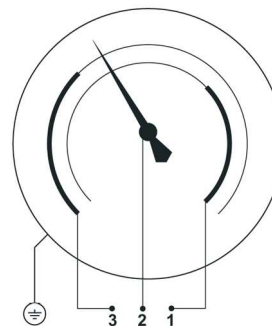


Producing ranges:

Range	Code of range	03393
0-60kPa	01	
0-100kPa	02	X
0-160kPa	03	X
0-250kPa	04	X
0-400kPa	05	X
0-600kPa	06	X
0-1MPa	07	X
0-1,6MPa	08	X
0-2,5MPa	09	X
-100-0kPa	20	X
-100-0-60kPa	21	X
-100-0-150kPa	22	X
-100-0-300kPa	23	X
-100-0-500kPa	24	X
-100-0-900kPa	25	X
-0,1-0-1,5MPa	26	X
-0,1-0-2,4MPa	27	X

Connection of contacts

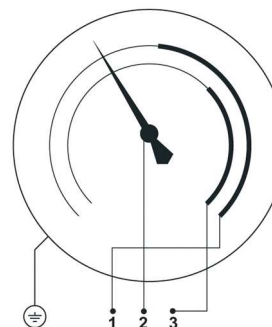
Scheme 1.



Contacts

minimal + maximal
(M21)

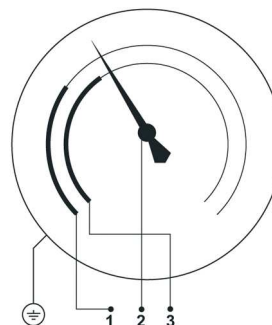
Scheme 2.



Contacts

maximal + maximal
(M11)

Scheme 3.



Contacts

minimal + minimal
(M22)

Contact device

Construction :	EN 60 947
Version :	magnetic (non-magnetic)
Material of contacts :	Ag80Ni20
Connection :	min./min.; min./max.; max./max.
Rated voltage :	250V max.
Switch current :	1A max.
NC current :	1A max.
Operating current :	0,6A max.
Switch power :	AC 30W, DC 50VA