

Contact manometer with radial connection



Type : **03380 /ø100mm/
03370 /ø160mm/**

Application :
For gaseous and liquid media that will not obstruct the pressure system.

Description :

Construction
STN EN 837

Protection
IP 54, according to STN EN 60 529

Connection
Radial (lower)

Accuracy class
4 % - range 0-100kPa
2,5 % - range 0-160; 250kPa
1,6 % - from 0-400kPa

Type / Diameter / Connection / Thread / Accuracy class
03380 /ø100mm /radial /M20x1,5 (G1/2")/4; 2,5; 1,6
03370 /ø160mm /radial /M20x1,5 (G1/2")/4; 2,5; 1,6

Allowed temperature
ambient : -20 ... +60°C
medium : max. +60°C

Material
Measuring element: bronze bourdon tube „C“ (bourdon tube) – till 10MPa
stainless steel – from 16MPa
Connection : stainless steel 1.4301

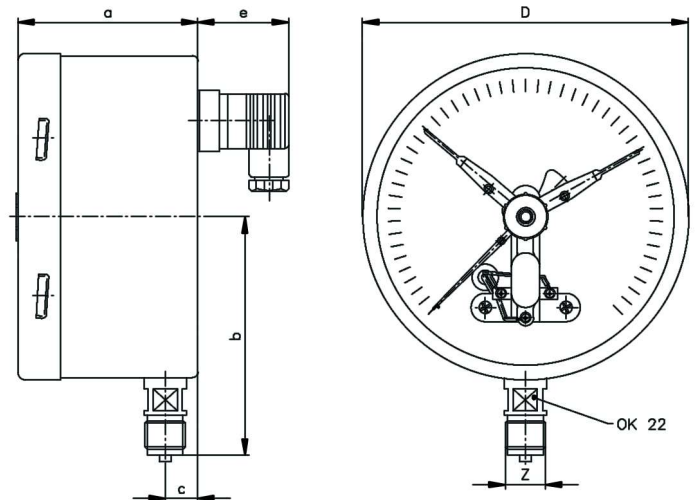
Movement : brass
Case : black steel
Visor : plastic
Dial : white aluminium dial marking black
Pointer : aluminium black color

- Options**
- front flange
 - other connection (thread) on special request
 - scala in units „bar“, „PSI“, and other
 - atypical eventually double scala
 - option mounting with diaphragm separator
 - realization for OXYGEN

Allowed loading

Static : 75% from range
Variable : 66% from range
For a short term : 100% from range

Dimensions of manometer (mm)



TYPE	D	a	b	c	e	Z
03380	101	91	86	17	47	M20x1,5 (G1/2")
03370	161	91	117	17	47	M20x1,5 (G1/2")

Contact manometer with radial connection

Type : **03380 /ø100mm/**
03370 /ø160mm/

Producing ranges

Range	Code of range	03380	03370
0-60kPa	01		
0-100kPa	02	X	X
0-160kPa	03	X	X
0-250kPa	04	X	X
0-400kPa	05	X	X
0-600kPa	06	X	X
0-1MPa	07	X	X
0-1,6MPa	08	X	X
0-2,5MPa	09	X	X
0-4MPa	10	X	X
0-6MPa	11	X	X
0-10MPa	12	X	X
0-16MPa	13	X	X
0-25MPa	14	X	X
0-40MPa	15	X	X
0-60MPa	16	X	X
0-100MPa	17	X	X
0-160MPa	18	X	X
-100-0kPa	20	X	X
-100-0-60kPa	21	X	X
-100-0-150kPa	22	X	X
-100-0-300kPa	23	X	X
-100-0-500kPa	24	X	X
-100-0-900kPa	25	X	X
-0,1-0-1,5MPa	26	X	X
-0,1-0-2,4MPa	27	X	X

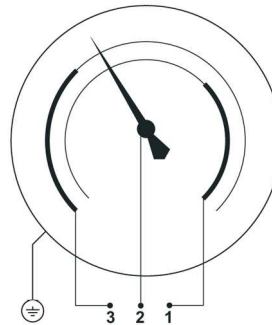
Contact device

Construction :	EN 60 947
Version :	magnetic (non-magnetic)
Material of contacts :	Ag80Ni20
Connection :	min./min.; min./max.; max./max.
Rated voltage :	250V max.
Switch current :	1A max.
NC current :	1A max.
Operating current :	0,6A max.
Switch power :	AC 30W, DC 50VA



Connection of contacts

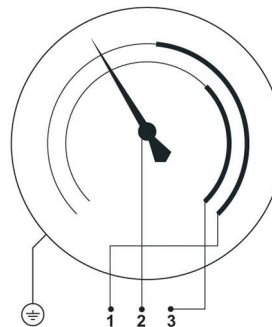
Scheme 1.



Contacts

minimal + maximal
(M21)

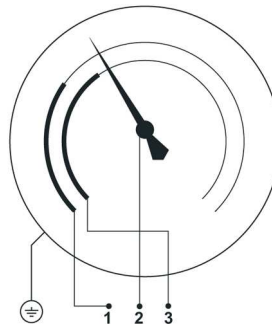
Scheme 2.



Contacts

maximal + maximal
(M11)

Scheme 3.



Contacts

minimal + minimal
(M22)