

Manometer with diaphragm with radial connection



Type : **03379 /ø100mm/
03376 /ø160mm/**

Application :

For gaseous and liquid media that will not obstruct the pressure system. Pressure gauges are suitable for chemical, petrochemical, engineering industry, especially for aggressive media. Flange and the membrane material is chosen according to measured media.

Description :

Construction

STN EN 837

Protection

IP 65, according to STN EN 60 529

Connection

Radial (lower)

Accuracy class

2,5 %, 1,6 %

Type / Diameter / Connection / Thread / Accuracy class

03379 / ø100 mm / radial / M20x1,5 (G1/2") / 2,5

03376 / ø160 mm / radial / M20x1,5 (G1/2") / 2,5

Allowed temperature

ambient : -20 ... +60°C

medium : max. +60°C

Material

Measuring element: steel membrane galvanized
 membrane + PTFE protective coat
 membrane + stainless steel protective film

Connection : steel membrane galvanized
 stainless steel diaphragm 1.4301
 stainless steel diaphragm rubberized
 stainless steel diaphragm with PTFE insert
 stainless steel diaphragm with PVC insert

Movement :

Case : stainless steel 1.4301

Visor : glass

Dial : white aluminium dial marking black

Pointer : aluminium black color

Allowed loading

Static : 75% from range

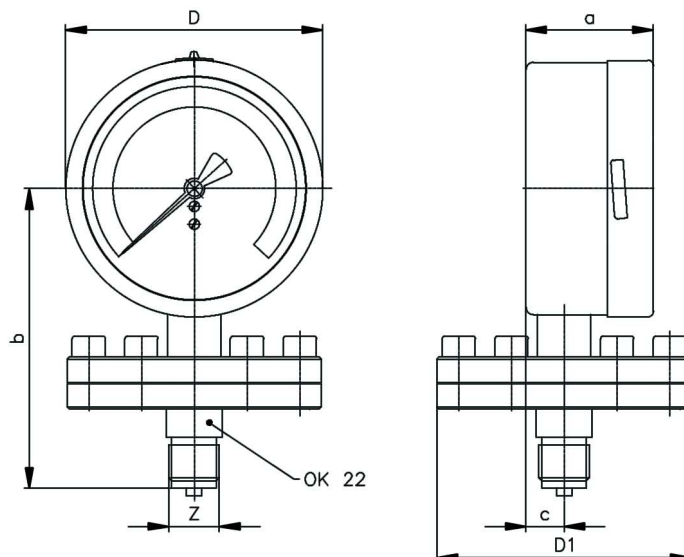
Variable : 66% from range

For a short term : 100% from range

Options

- accuracy class 1,6% on request
- other connection (thread) request
- dairy flange open Rd 1/6L, M65x1,5
- open diaphragm DN65, DN50, DN25 from steel or stainless steel
- filling with glycerine
- scala in units „bar“, „PSI“, and other
- atypical eventually double scala
- realization for OXYGEN

Dimensions of manometer (mm)



TYPE	D	a	b	D1	Z
03379	101	49	117	100	M20x1,5 (G1/2")
03376	161	49	149	100	M20x1,5 (G1/2")

Manometer with diaphragm with radial connection

Type : **03379 /ø100mm/
03376 /ø160mm/**

Producing ranges



Range	Code of range	03379	03376
0-60kPa	01		
0-100kPa	02	X	X
0-160kPa	03	X	X
0-250kPa	04	X	X
0-400kPa	05	X	X
0-600kPa	06	X	X
0-1MPa	07	X	X
0-1,6MPa	08	X	X
0-2,5MPa	09	X	X
-100-0kPa	20	X	X
-100-0-60kPa	21	X	X
-100-0-150kPa	22	X	X
-100-0-300kPa	23	X	X
-100-0-500kPa	24	X	X
-100-0-900kPa	25	X	X
-0,1-0-1,5MPa	26	X	X
-0,1-0-2,4MPa	27	X	X