

# Differential manometer with bronze capsule diaphragm with axial connection $\varnothing 160\text{mm}$



**Type :** 03378

## Application :

For gaseous and liquid media that will not obstruct the pressure system or attack copper alloy parts. Manometers are assigned for measuring pressure difference on filters or armatures.

## Description :

### Construction

STN EN 837

### Protection

IP 65, according to STN EN 60 529

### Connection

Axial (back)

### Accuracy class

4 % - 0-400Pa; 0-600Pa  
1,6 % - from 1kPa

### Type / Diameter / Connection / Thread / Accuracy class

03378 /  $\varnothing 160\text{ mm}$  / axial / M20x1,5 (G1/2") / 4; 1,6

### Allowed temperature

ambient : -20 ... +60°C  
medium : max. +60°C

### Material

Measuring element: bronze capsule diaphragm  
Connection: stainless steel 1.4301  
Movement : brass  
Case : stainless steel 1.4301  
Visor : plastic  
Dial : white aluminium dial marking black  
Pointer : aluminium black color

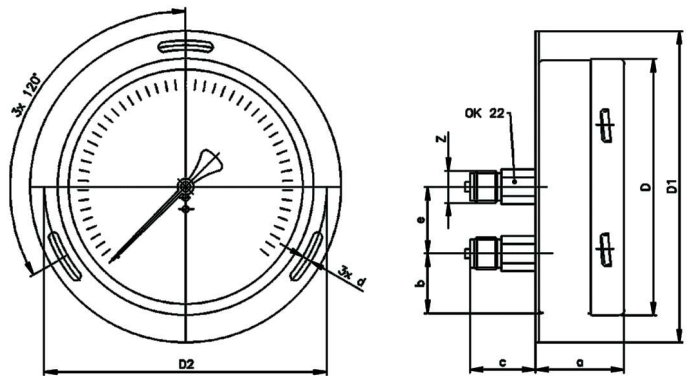
### Options

- scala in units „bar“, „PSI“, and other
- atypical eventually double scala
- other connection (thread) on special request
- realization for OXYGEN
- construction with front flange or without

### Allowed loading

Static : 75% from range  
Variable : 66% from range  
For a short term : 100% from range

### Dimensions of manometer (mm)



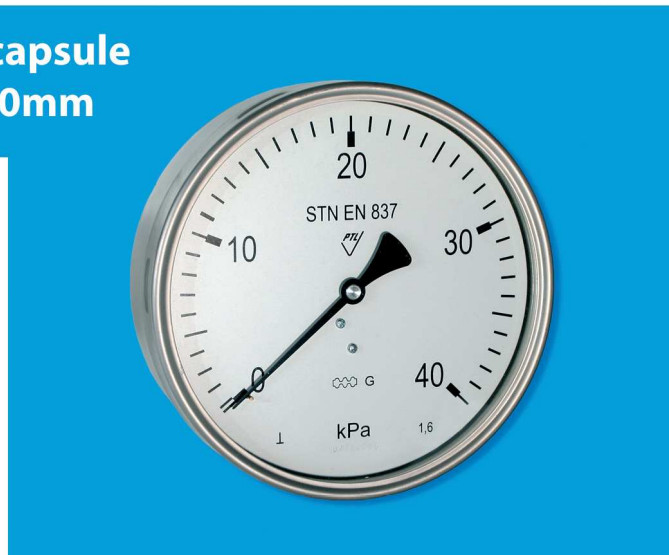
TYPE	D	D1	D2	d	a
03378	161	196	178	6	56

TYPE	b	c	e	Z
03378	37,5	41	42	M20x1,5 (G1/2")

## Differential manometer with bronze capsule diaphragm with axial connection $\varnothing 160\text{mm}$

Type :

**03378**



Producing ranges

Range	03378
0-400Pa	X
0-600Pa	X
0-1kPa	X
0-1,6kPa	X
0-2,5kPa	X
0-4kPa	X
0-6kPa	X
0-10kPa	X
0-16kPa	X
0-25kPa	X
0-40kPa	X