

Membrane manometers for fire equipment with radial connection $\varnothing 80\text{mm}$



Type : **03375 /without flange/
03375-PP /with flange/**

Application :
Manometers are designed to measure the intake and the amount of uplift fire pump equipment.

Description :

Construction
STN EN 837

Protection
IP 65, according to STN EN 60 529

Connection
Axial (back)

Accuracy class
4 % - range -10-0-250m
2,5 % - range 0-250m

Type / Diameter / Connection / Thread / Accuracy class

03375 / $\varnothing 80\text{ mm}$ / axial / M20x1,5 / 4; 2,5
03375-PP / $\varnothing 80\text{ mm}$ / axial / M20x1,5 / 4; 2,5

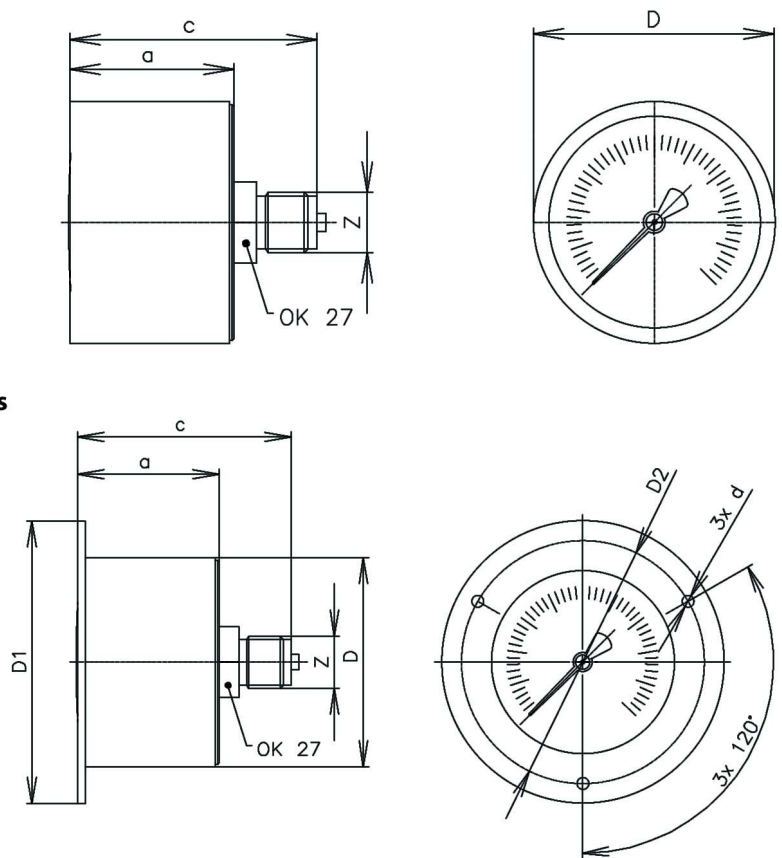
Allowed temperature
ambient : -20 ... +60°C
medium : max. +60°C

Material
Measuring element: membrane CuBe
Connection: zinc steel
Movement : brass
Case : stainless steel 1.4301
Visor : plastic
Dial : white aluminium dial marking black
Pointer : aluminium black color

Options
- atypical eventually double scala
- other connection (thread) on special request

Allowed loading
Static : 75% from range
Variable : 66% from range
For a short term : 100% from range

Dimensions of manometer (mm)



TYPE	D	a	c	D1	D2	d	Z
03375	80	50	78				M20x1,5
03375-PP	80	50	78	108	93	4,5	M20x1,5

Producing ranges

Range	03375	03375-PP
0-250m	X	X
-10-0-250m	X	X