

Double manometer with bronze bourdon tube with radial connection

Type : **03350 /ø100mm/
03352 /ø100mm/
13353 /ø160mm/**

Application :

For gaseous and liquid media that will not obstruct the pressure system or attack copper alloy parts. Manometers are assigned for measuring pressure difference on filters or armatures.

Description :

Construction

STN EN 837

Protection

IP 43, according to STN EN 60 529

Connection

Radial (lower)

Accuracy class

1,6 %

Type / Diameter / Connection / Thread / Accuracy class

03350 / ø100 mm / radial / M20x1,5 (G1/2") / 1,6
03352 / ø100 mm / radial / M20x1,5 (G1/2") / 1,6
13353 / ø160 mm / radial / M20x1,5 (G1/2") / 1,6

Manometer type 03352 is produced with a rotary dial for direct reading of the difference.

Allowed temperature

ambient : -20 ... +60°C
medium : max. +60°C

Material

Measuring element : bronze bourdon tube
Connection : brass
Movement : brass
Case : steel black steel
Visor : glass
Dial : white aluminium dial marking black
Pointer : aluminium black color

Options

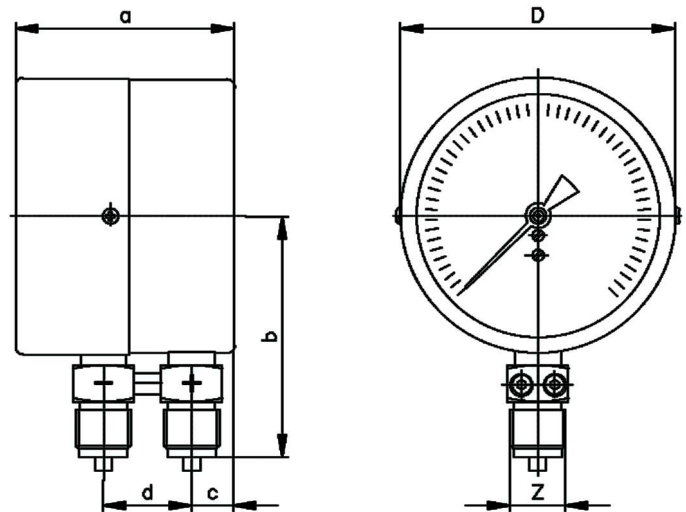
- accuracy class 1%
- back flange
- other connection (thread) on special request
- scala in units „bar“, „PSI“, and other
- atypical eventually double scala
- realization for OXYGEN



Allowed loading

Static : 75% from range
Variable : 66% from range
For a short term : 100% from range

Dimensions of manometer (mm)



TYPE	D	a	b	c	e	Z
03350	101	78	86	16	32	M20x1,5 (G1/2")
03352	101	78	86	16	32	M20x1,5 (G1/2")
13353	161	90	117	16	32	M20x1,5 (G1/2")

Double manometer with bronze bourdon tube with radial connection

Type :

**03350 /ø100mm/
03352 /ø100mm/
13353 /ø160mm/**



Producing ranges

Range	Code of range	03350	03352	13353
0-60kPa	01	X	X	X
0-100kPa	02	X	X	X
0-160kPa	03	X	X	X
0-250kPa	04	X	X	X
0-400kPa	05	X	X	X
0-600kPa	06	X	X	X
0-1MPa	07	X	X	X
0-1,6MPa	08	X	X	X
0-2,5MPa	09	X	X	X
0-4MPa	10	X	X	X
0-6MPa	11	X	X	X
0-10MPa	12	X	X	X
-100-0kPa	20	X	X	X
-100-0-60kPa	21	X	X	X
-100-0-150kPa	22	X	X	X
-100-0-300kPa	23	X	X	X
-100-0-500kPa	24	X	X	X
-100-0-900kPa	25	X	X	X
-0,1-0-1,5MPa	26	X	X	X
-0,1-0-2,4MPa	27	X	X	X