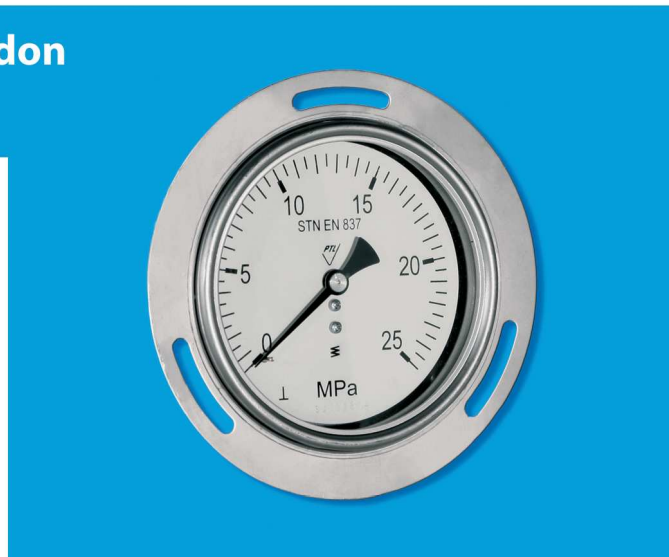


Standard manometer with steel bourdon tube with axial connection



Type : 03342 / \varnothing 100mm/
03343 / \varnothing 160mm/

Application :

For gaseous and liquid media that will not obstruct the pressure system.

Description :

Construction

STN EN 837

Protection

IP 43, according to STN EN 60 529

Connection

Axial (back)

Accuracy class

1,6 %

Type / Diameter / Connection / Thread / Accuracy class

03342 / \varnothing 100 mm / axial / M20x1,5 (G1/2") / 1,6

03343 / \varnothing 160 mm / axial / M20x1,5 (G1/2") / 1,6

Allowed temperature

ambient : -20 ... +60°C

medium : max. +60°C

Material

Measuring element: bourdon tube
Stainless steel 1.4571

Connection : steel

Movement : brass

Case : stainless steel 1.4301

Visor : glass

Dial : white aluminium dial marking black

Pointer : aluminium black color

Options

- accuracy class 1%
- front or back flange
- other connection (thread) on special request
- scala in units „bar“, „PSI“, and other
- atypical eventually double scala
- option mounting with diaphragm separator
- construction with trailing pointer
- realization for OXYGEN
- construction with temperature scala R717, NH3

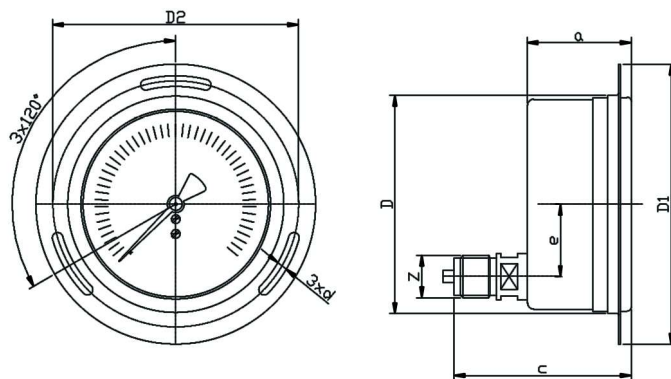
Allowed loading

Static : 75% from range

Variable : 66% from range

For a short term : 100% from range

Dimensions of manometer (mm)



TYPE	D	D1	D2	d	a
03342	101	132	116	5,8	49
03343	161	194	178	7	49

TYPE	c	e	Z
03342	84	34	M20x1,5 (G1/2")
03343	84	48	M20x1,5 (G1/2")

Standard manometer with steel bourdon tube with axial connection

Type : **03342 /ø100mm/
03343 /ø160mm/**

Producing ranges



Range	Code of range	03342	03343	R717
0-60kPa	01	X	X	
0-100kPa	02	X	X	
0-160kPa	03	X	X	
0-250kPa	04	X	X	
0-400kPa	05	X	X	
0-600kPa	06	X	X	
0-1MPa	07	X	X	
0-1,6MPa	08	X	X	
0-2,5MPa	09	X	X	
0-4MPa	10	X	X	
0-6MPa	11	X	X	
0-10MPa	12	X	X	
0-16MPa	13	X	X	
0-25MPa	14	X	X	
0-40MPa	15	X	X	
0-60MPa	16	X	X	
0-100MPa	17	X	X	
0-160MPa	18	X	X	
-100-0kPa	20	X	X	
-100-0-60kPa	21	X	X	
-100-0-150kPa	22	X	X	
-100-0-300kPa	23	X	X	
-100-0-500kPa	24	X	X	
-100-0-900kPa	25	X	X	
-0,1-0-1,5MPa	26	X	X	X
-0,1-0-2,4MPa	27	X	X	X