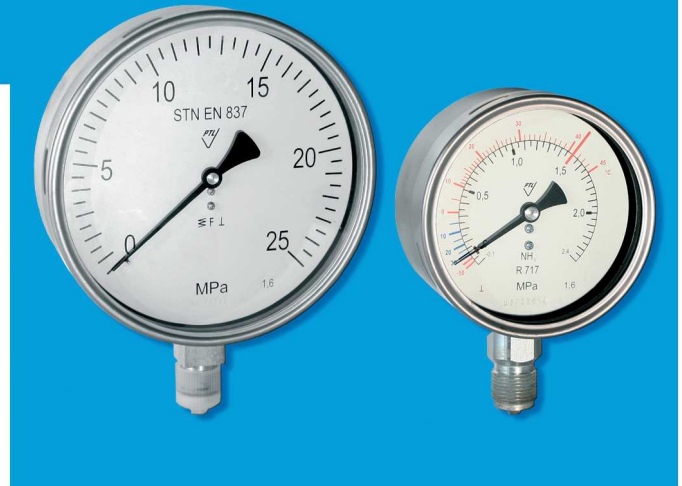


Standard manometer with steel bourdon tube with radial connection



Type : **53332 /ø100mm/**
03333 /ø160mm/
13332 /ø100mm/
13333 /ø160mm/

Application :
 For gaseous and liquid media that will not obstruct the pressure system.

Description :

Construction
 STN EN 837

Protection
 IP 43, according to STN EN 60 529

Connection
 Radial (lower)

Accuracy class
 1,6 %; 1 %

Type / Diameter / Connection / Thread / Accuracy class
 53332 / ø100 mm / radial / M20x1,5 (G1/2") / 1,6
 03333 / ø160 mm / radial / M20x1,5 (G1/2") / 1,6
 13332 / ø100 mm / radial / M20x1,5 (G1/2") / 1
 13333 / ø160 mm / radial / M20x1,5 (G1/2") / 1

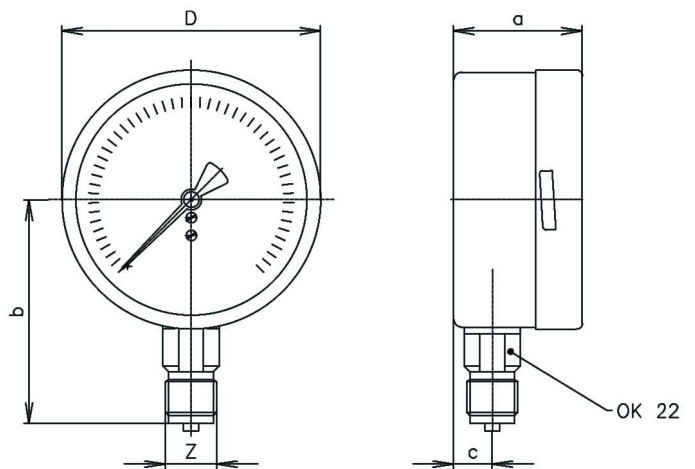
Allowed temperature
 ambient : -20 ... +60°C
 medium : max. +60°C

Material
 Measuring element : bourdon tube
 stainless steel 1.4571
 Connection : zinc steel
 Movement : brass
 Case : stainless steel 1.4301
 Visor : glass
 Dial : white aluminium dial marking black
 Pointer : aluminium black color

- Options**
- front or back flange
 - other connection (thread) on special request
 - scala in units „bar“, „PSI“, and other
 - atypical eventually double scala
 - option mounting with diaphragm separator
 - construction with trailing pointer
 - realization for OXYGEN
 - construction with temperature scala R717, NH3

Allowed loading
 Static : 75% from range
 Variable : 66% from range
 For a short term : 100% from range

Dimensions of manometer (mm)

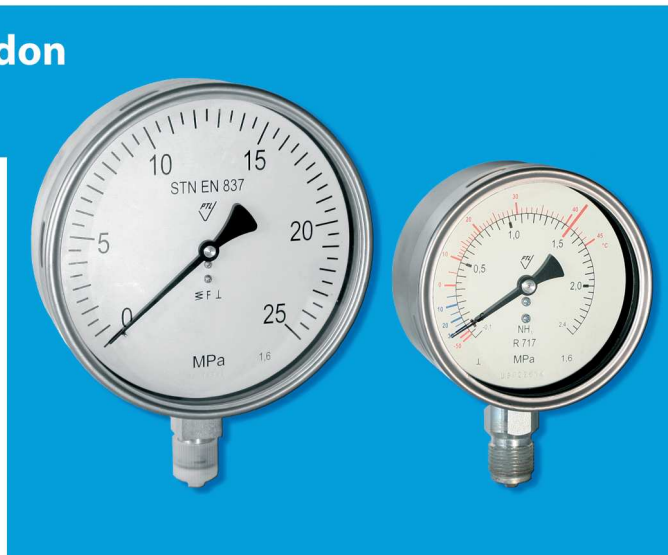


TYPE	D	a	b	c	Z
53332	101	49	86	16	M20x1,5 (G1/2")
03333	161	49	117	16	M20x1,5 (G1/2")
13332	101	49	86	16	M20x1,5 (G1/2")
13333	161	49	117	16	M20x1,5 (G1/2")

Standard manometer with steel bourdon tube with radial connection

Type :

**53332 /ø100mm/
03333 /ø160mm/
13332 /ø100mm/
13333 /ø160mm/**



Producing ranges

Range	Code of range	53332	03333	13332	13333	R717
0-60kPa	01	X	X	X	X	
0-100kPa	02	X	X	X	X	
0-160kPa	03	X	X	X	X	
0-250kPa	04	X	X	X	X	
0-400kPa	05	X	X	X	X	
0-600kPa	06	X	X	X	X	
0-1MPa	07	X	X	X	X	
0-1,6MPa	08	X	X	X	X	
0-2,5MPa	09	X	X	X	X	
0-4MPa	10	X	X	X	X	
0-6MPa	11	X	X	X	X	
0-10MPa	12	X	X	X	X	
0-16MPa	13	X	X	X	X	
0-25MPa	14	X	X	X	X	
0-40MPa	15	X	X	X	X	
0-60MPa	16	X	X	X	X	
0-100MPa	17	X	X	X	X	
0-160MPa	18	X	X	X	X	
-100-0kPa	20	X	X	X	X	
-100-0-60kPa	21	X	X	X	X	
-100-0-150kPa	22	X	X	X	X	
-100-0-300kPa	23	X	X	X	X	
-100-0-500kPa	24	X	X	X	X	
-100-0-900kPa	25	X	X	X	X	
-0,1-0-1,5MPa	26	X	X	X	X	X
-0,1-0-2,4MPa	27	X	X	X	X	X