

# Standard manometer with bronze bourdon tube with axial connection



**Type :**                               **03322 /ø100mm/  
03323 /ø160mm/**

## Application :

For gaseous and liquid media that will not obstruct the pressure system or attack copper alloy parts.

## Description :

### Construction

STN EN 837

### Protection

IP 43, according to STN EN 60 529

### Connection

Axial (back)

### Accuracy class

1,6 %

### Type / Diameter / Connection / Thread / Accuracy class

03322 / ø100 mm / axial / M20x1,5 (G1/2") / 1,6

03323 / ø160 mm / axial / M20x1,5 (G1/2") / 1,6

### Allowed temperature

ambient :                               -20 ... +60°C

medium :                               max. +60°C

### Material

Measuring element :   bronze bourdon tube „C“

Connection :                       brass

Movement :                       brass

Case :                                 stainless steel 1.4301

Visor :                                glass

Dial :                                 white aluminium dial marking black

Pointer :                            aluminium black color

### Options

- accuracy class 1%
- front or back flange
- other connection (thread) on special request
- scala in units „bar“, „PSI“, and other
- atypical eventually double scala
- option mounting with diaphragm separator
- construction with trailing pointer
- realization for OXYGEN

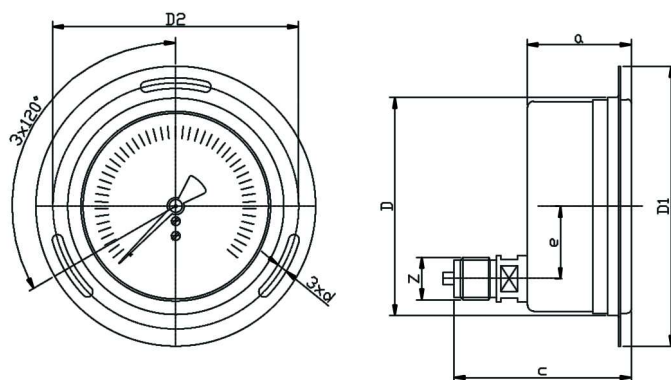
## Allowed loading

Static :                               75% from range

Variable :                           66% from range

For a short term :               100% from range

## Dimensions of manometer (mm)



TYPE	D	D1	D2	d	a
03322	101	132	116	5,8	49
03323	161	194	178	7	49

TYPE	c	e	Z
03322	84	34	M20x1,5 (G1/2")
03323	84	48	M20x1,5 (G1/2")

## Standard manometer with bronze bourdon tube with axial connection

Type :                      **03322 /ø100mm/**  
                                   **03323 /ø160mm/**

### Producing ranges



Range	Code of range	03322	03323
0-60kPa	01	X	X
0-100kPa	02	X	X
0-160kPa	03	X	X
0-250kPa	04	X	X
0-400kPa	05	X	X
0-600kPa	06	X	X
0-1MPa	07	X	X
0-1,6MPa	08	X	X
0-2,5MPa	09	X	X
0-4MPa	10	X	X
0-6MPa	11	X	X
0-10MPa	12	X	X
-100-0kPa	20	X	X
-100-0-60kPa	21	X	X
-100-0-150kPa	22	X	X
-100-0-300kPa	23	X	X
-100-0-500kPa	24	X	X
-100-0-900kPa	25	X	X
-0,1-0-1,5MPa	26	X	X
-0,1-0-2,4MPa	27	X	X