

Standard manometer with bourdon tube with radial connection \varnothing 250mm



Type : **03314-S 1,6 %**
03314-S 1 %

Application :

For gaseous and liquid media that will not obstruct the pressure system.

Description :

Construction

STN EN 837

Protection

IP 43, according to STN EN 60 529

Connection

Radial (lower)

Accuracy class

1,6 %; 1 %

Type / Diameter / Connection / Thread / Accuracy class

03314-S / \varnothing 250mm / radial / M20x1,5 (G1/2") / 1,6 %

03314-S / \varnothing 250mm / radial / M20x1,5 (G1/2") / 1 %

Allowed temperature

ambient : -20 ... +60°C

medium : max. +60°C

Material

Measuring element: till 10MPa bronze bourdon tube
up to 16MPa stainless steel bourdon tube

Connection : till 10MPa brass
up to 16MPa steel (stainless steel)

Movement : brass

Case : black steel

Visor : glass

Dial : white aluminium dial marking black, mirror scala

Pointer : aluminium black color

Options

- front or back flange
- other connection (thread) on special request
- filling with glycerine on request
- scala in units „bar“, „PSI“, and other
- atypical eventually double scala
- option mounting with diaphragm separator
- construction with trailing pointer
- realization for OXYGEN

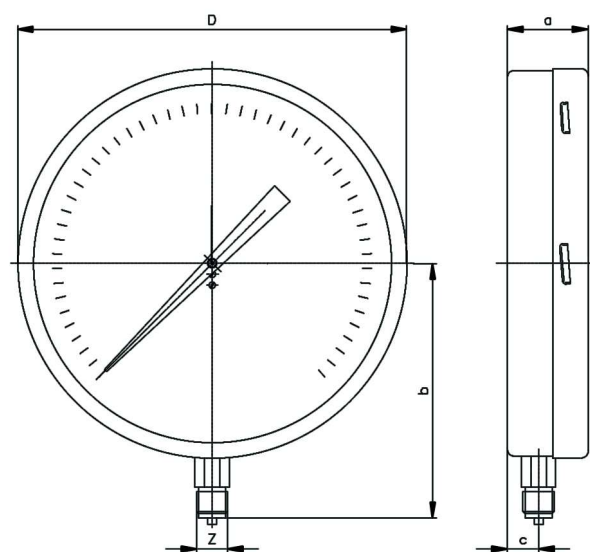
Allowed loading

Static : 75% from range

Variable : 66% from range

For a short term : 100% from range

Dimensions of manometer (mm)



TYPE	D	a	b	c	Z
03314-S	251	57	165	16	M20x1,5 (G1/2")

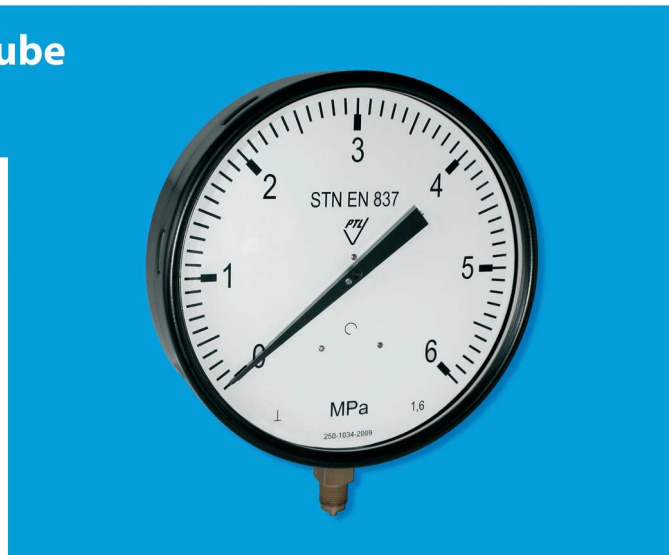
Standard manometer with bourdon tube with radial connection \varnothing 250mm

Type :

03314-S 1,6 %

03314-S 1 %

Producing ranges



Range	Code of range	03314-S 1,6%	03314-S 1%
0-60kPa	01	X	X
0-100kPa	02	X	X
0-160kPa	03	X	X
0-250kPa	04	X	X
0-400kPa	05	X	X
0-600kPa	06	X	X
0-1MPa	07	X	X
0-1,6MPa	08	X	X
0-2,5MPa	09	X	X
0-4MPa	10	X	X
0-6MPa	11	X	X
0-10MPa	12	X	X
0-16MPa	13	X	X
0-25MPa	14	X	X
0-40MPa	15	X	X
0-60MPa	16	X	X
0-100MPa	17	X	X
0-160MPa	18	X	X
-100-0kPa	20	X	X
-100-0-60kPa	21	X	X
-100-0-150kPa	22	X	X
-100-0-300kPa	23	X	X
-100-0-500kPa	24	X	X
-100-0-900kPa	25	X	X
-0,1-0-1,5MPa	26	X	X
-0,1-0-2,4MPa	27	X	X