

Ethalon manometer with bronze bourdon tube with radial connection \varnothing 250mm

Type : **03314-E 0,6 %**
 03314-E 0,4 %
 03314-E 0,25 %

Application :

For gaseous and liquid media that will not obstruct the pressure system.
 Manometers are used for laboratory verification of running manometers.

Description :

Construction

STN EN 837

Protection

IP 43, according to STN EN 60 529

Connection

Radial (lower)

Accuracy class

0,6 %; 0,4 %; 0,25 %

Type / Diameter / Connection / Thread / Accuracy class

03314-E / \varnothing 250mm /radial / M20x1,5 (G1/2") / 0,6%

03314-E / \varnothing 250mm /radial / M20x1,5 (G1/2") / 0,4%

03314-E / \varnothing 250mm /radial / M20x1,5 (G1/2") /0,25%

Allowed temperature

ambient : -20 ... +60°C

medium : max. +60°C

Material

Measuring element : bronze bourdon tube CuBe2

Connection : till 10MPa brass

up to 16MPa steel (stainless steel)

Movement : brass

Case : black steel

Visor : glass

Dial : white aluminium dial marking black,
 mirror scala

Pointer : aluminium black color

Options

- front or back flange
- other connection (thread) on special request
- scala in units „bar“, „PSI“, and other
- atypical eventually double scala
- option mounting with diaphragm separator
- construction with trailing pointer
- realization for OXYGEN



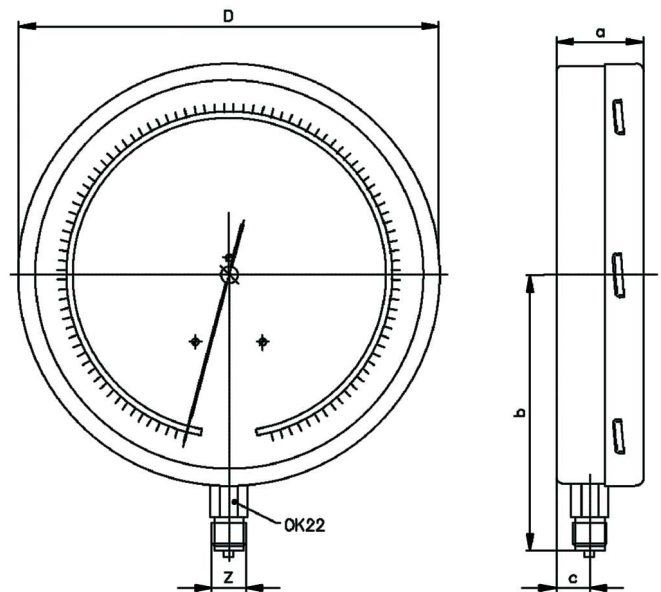
Allowed loading

Static : 75% from range

Variable : 66% from range

For a short term : 100% from range

Dimensions of manometer (mm)



| TYPE | D | a | b | c | Z |
|---------|-----|----|-----|----|-----------------|
| 03314-E | 251 | 57 | 165 | 16 | M20x1,5 (G1/2") |

Ethalon manometer with bronze bourdon tube with radial connection \varnothing 250mm

Type :

03314-E 0,6 %

03314-E 0,4 %

03314-E 0,25 %



Producing ranges

| Range | Code of range | 03314-E 0,6% | 03314-E 0,4% | 03314-E 0,25% |
|---------------|---------------|--------------|--------------|---------------|
| 0-60kPa | 01 | X | | |
| 0-100kPa | 02 | X | X | X |
| 0-160kPa | 03 | X | X | X |
| 0-250kPa | 04 | X | X | X |
| 0-400kPa | 05 | X | X | X |
| 0-600kPa | 06 | X | X | X |
| 0-1MPa | 07 | X | X | X |
| 0-1,6MPa | 08 | X | X | X |
| 0-2,5MPa | 09 | X | X | X |
| 0-4MPa | 10 | X | X | X |
| 0-6MPa | 11 | X | X | X |
| 0-10MPa | 12 | X | X | X |
| 0-16MPa | 13 | X | X | X |
| 0-25MPa | 14 | X | X | X |
| 0-40MPa | 15 | X | X | X |
| 0-60MPa | 16 | X | X | X |
| 0-100MPa | 17 | X | X | X |
| 0-160MPa | 18 | | | |
| | | | | |
| -100-0kPa | 20 | X | X | X |
| -100-0-60kPa | 21 | X | X | X |
| -100-0-150kPa | 22 | X | X | X |
| -100-0-300kPa | 23 | X | X | X |
| -100-0-500kPa | 24 | X | X | X |
| -100-0-900kPa | 25 | X | X | X |
| -0,1-0-1,5MPa | 26 | X | X | X |
| -0,1-0-2,4MPa | 27 | X | X | X |