

# Standard manometer with bronze bourdon tube with radial connection

**Type :**                    **03312-S / ø100mm/**  
**03313-S / ø160mm/**  
**13312-S / ø100mm/**  
**13313-S / ø160mm/**

## Application :

For gaseous and liquid media that will not obstruct the pressure system or attack copper alloy parts.

## Description :

### Construction

STN EN 837

### Protection

IP 43, according to STN EN 60 529

### Connection

Radial (lower)

### Accuracy class

1,6 %; 1 %

### Type / Diameter / Connection / Thread / Accuracy class

03312-S / ø100 mm / radial / M20x1,5 (G1/2") / 1,6  
 03313-S / ø160 mm / radial / M20x1,5 (G1/2") / 1,6  
 13312-S / ø100 mm / radial / M20x1,5 (G1/2") / 1  
 13313-S / ø160 mm / radial / M20x1,5 (G1/2") / 1

### Allowed temperature

ambient :                    -20 ... +60°C  
 medium :                    max. +60°C

### Material

Measuring element :     bronze bourdon tube „C“  
 Connection :                brass  
 Movement :                brass  
 Case :                        stainless steel 1.4301  
 Visor :                        glass  
 Dial :                         white aluminium dial marking black  
 Pointer :                     aluminium black color

### Options

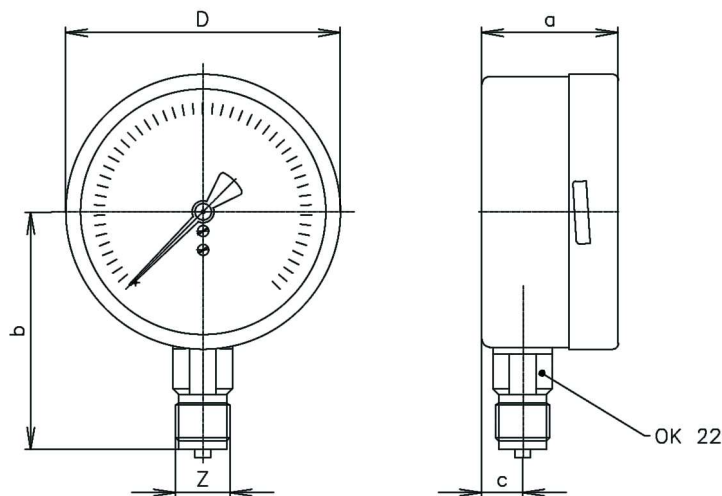
- front or back flange
- other connection (thread) on special request
- scala in units „bar“, „PSI“, and other
- atypical eventually double scala
- option mounting with diaphragm separator
- construction with trailing pointer
- realization for OXYGEN



### Allowed loading

Static :                      75% from range  
 Variable :                    66% from range  
 For a short term :        100% from range

### Dimensions of manometer (mm)



TYPE	D	a	b	c	Z
03312-S	101	49	86	16	M20x1,5 (G1/2")
03313-S	161	49	117	16	M20x1,5 (G1/2")
13312-S	101	49	86	16	M20x1,5 (G1/2")
13313-S	161	49	117	16	M20x1,5 (G1/2")

## Standard manometer with bronze bourdon tube with radial connection

Type :

**03312-S /ø100mm/  
03313-S /ø160mm/  
13312-S /ø100mm/  
13313-S /ø160mm/**



Producing ranges

Range	Code of range	03312-S	03313-S	13312-S	13313-S
0-60kPa	01	X	X	X	X
0-100kPa	02	X	X	X	X
0-160kPa	03	X	X	X	X
0-250kPa	04	X	X	X	X
0-400kPa	05	X	X	X	X
0-600kPa	06	X	X	X	X
0-1MPa	07	X	X	X	X
0-1,6MPa	08	X	X	X	X
0-2,5MPa	09	X	X	X	X
0-4MPa	10	X	X	X	X
0-6MPa	11	X	X	X	X
0-10MPa	12	X	X	X	X
-100-0kPa	20	X	X	X	X
-100-0-60kPa	21	X	X	X	X
-100-0-150kPa	22	X	X	X	X
-100-0-300kPa	23	X	X	X	X
-100-0-500kPa	24	X	X	X	X
-100-0-900kPa	25	X	X	X	X
-0,1-0-1,5MPa	26	X	X	X	X
-0,1-0-2,4MPa	27	X	X	X	X