

Standard manometer with bronze bourdon tube, with radial connection – EKONOMY

Type : 03312-AZ /ø100mm/
03313-AZ /ø150mm/

Application :

For gaseous and liquid media that will not obstruct the pressure system or attack copper alloy parts.

Description :

Construction

STN EN 837

Protection

IP 43, according to STN EN 60 529

Connection

Radial (lower)

Accuracy class

1,6 %

Type / Diameter / Connection / Thread / Accuracy class

03312-AZ /ø100 mm / radial / M20x1,5 (G1/2") / 1,6

03313-AZ /ø150 mm / radial / M20x1,5 / 1,6

Allowed temperature

ambient : -20 ... +60°C

medium : max. +60°C

Material

Measuring element : bronze bourdon tube „C“

Connection : brass

Movement : brass

Case : black steel

Visor : glass

Dial : white aluminium dial marking black

Pointer : aluminium black color

Options

- scala in units „bar“
- option mounting with diaphragm separator
- construction with trailing pointer



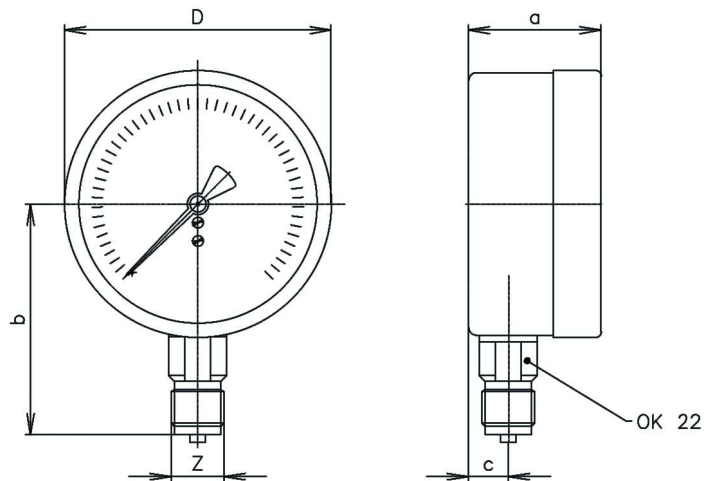
Allowed loading

Static : 75% from range

Variable : 66% from range

For a short term : 100% from range

Dimensions of manometer (mm)



TYPE	D	a	b	c	Z
03312-AZ	101	38	87	13	M20x1,5 (G1/2")
03313-AZ	151	45	109	16	M20x1,5

Standard manometer with bronze bourdon tube, with radial connection – EKONOMY

Type : **03312-AZ /ø100mm/
03313-AZ /ø150mm/**

Producing ranges



Range	Code of range	03312-AZ	03313-AZ
0-60kPa	01	X	X
0-100kPa	02	X	X
0-160kPa	03	X	X
0-250kPa	04	X	X
0-400kPa	05	X	X
0-600kPa	06	X	X
0-1MPa	07	X	X
0-1,6MPa	08	X	X
0-2,5MPa	09	X	X
0-4MPa	10	X	X
0-6MPa	11	X	X
0-10MPa	12	X	X