

Waterproof and shock resistance manometer $\varnothing 63$ mm



Type : **03304-V**
03304-G /glycerin/
03358-V
03358-G /glycerin/

Application :
 For gaseous and liquid media that will not obstruct the pressure system.

Description :

Construction
 STN EN 837

Protection
 IP 65, according to STN EN 60 529

Connection
 Radial (lower), axial (back)

Accuracy class
 1,6 %

Type / Diameter / Connection / Thread / Accuracy class
 03304-V / $\varnothing 63$ mm / radial / M12x1,5 (G1/4") / 1,6
 03304-G / $\varnothing 63$ mm / radial / M12x1,5 (G1/4") / 1,6
 03358-V / $\varnothing 63$ mm / axial / M12x1,5 (G1/4") / 1,6
 03358-G / $\varnothing 63$ mm / axial / M12x1,5 (G1/4") / 1,6

Allowed temperature
 ambient : -20 ... +60°C
 medium : max. +60°C

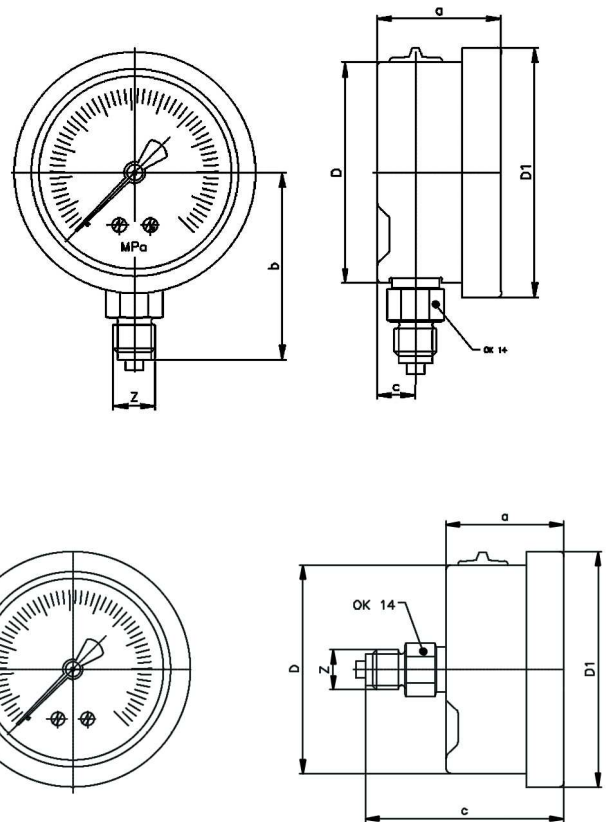
Material
 Measuring element: bourdon tube (bourdon tube)
 Connection : brass
 Movement : brass
 Case : stainless steel 1.4301
 Visor : plastic
 Dial : white aluminium dial marking black
 Pointer : aluminium black color

- Options**
- scala in units „bar“, „PSI“, and other
 - atypical eventually double scala
 - other connection (thread) on special request
 - option mounting with diaphragm separator
 - construction with trailing pointer
 - realization for OXYGEN

Allowed loading

Static : 75% from range
 Variable : 66% from range
 For a short term : 100% from range

Dimensions of manometer (mm)



TYPE	D	D1	a	b	c	Z
03304-V	61	69	31	53	11	M12x1,5 (G1/4")
03304-G	61	69	31	53	11	M12x1,5 (G1/4")
03358-V	61	69	31		51	M12x1,5 (G1/4")
03358-G	61	69	31		51	M12x1,5 (G1/4")

Waterproof and shock resistance manometer \varnothing 63 mm

Type :

03304-V
03304-G /glycerin/
03358-V
03358-G /glycerin/



Producing ranges

Range	Code of range	03304-V	03304-G	03304-V	03358-G
0-60kPa	01				
0-100kPa	02	X	X	X	X
0-160kPa	03	X	X	X	X
0-250kPa	04	X	X	X	X
0-400kPa	05	X	X	X	X
0-600kPa	06	X	X	X	X
0-1MPa	07	X	X	X	X
0-1,6MPa	08	X	X	X	X
0-2,5MPa	09	X	X	X	X
0-4MPa	10	X	X	X	X
0-6MPa	11	X	X	X	X
0-10MPa	12	X	X	X	X
0-16MPa	13	X	X	X	X
0-25MPa	14	X	X	X	X
0-31,5MPa	29	X	X	X	X
0-40MPa	15	X	X	X	X
-100-0kPa	20	X	X	X	X
-100-0-60kPa	21	X	X	X	X
-100-0-150kPa	22	X	X	X	X
-100-0-300kPa	23	X	X	X	X
-100-0-500kPa	24	X	X	X	X
-100-0-900kPa	25	X	X	X	X
-0,1-0-1,5MPa	26	X	X	X	X
-0,1-0-2,4MPa	27	X	X	X	X