

Standard manometer with bronze bourdon tube \varnothing 63mm

Type :

**03304-P
03304-TP
03358-P**

Application :

For gaseous and liquid media that will not obstruct the pressure system or attack copper alloy parts.
Manometers 03304-TP are assigned for measuring pressure of technical gases /OXYGEN, NITROGEN, ACETYLENE, CO₂.../

Description :

Construction
STN EN 837

Protection

IP 43, according to STN EN 60 529

Connection

Radial (lower), axial (back)

Accuracy class

1,6 %

Type / Diameter / Connection / Thread / Accuracy class

03304-P / \varnothing 63 mm / radial / M12x1,5 (G1/4") / 1,6
03304-TP / \varnothing 63 mm / radial / M12x1,5 (G1/4") / 1,6
03358-P / \varnothing 63 mm / axial / M12x1,5 (G1/4") / 1,6

Allowed temperature

ambient : -20 ... +60°C
medium : max. +60°C

Material

Measuring element : bronze bourdon tube „C“
03304-TP – by gas
Connection : brass
Movement : brass
Case : stainless steel 1.4301
Visor : plastic
Dial : white aluminium dial marking black
Pointer : aluminium black color

Options

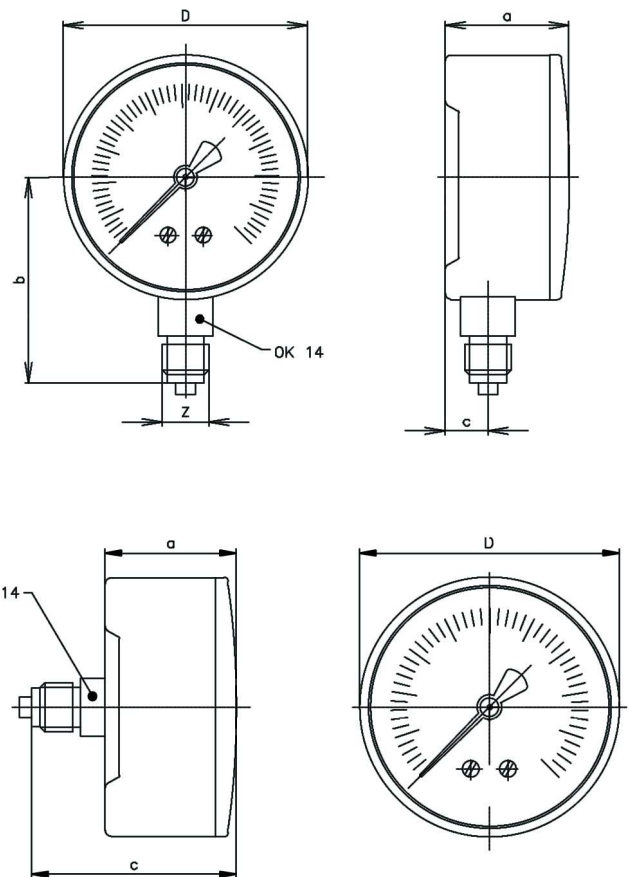
- scala in units „bar“, „PSI“, and other
- atypical eventually double scala
- other connection (thread) on special request
- option mounting with diaphragm separator
- construction with trailing pointer
- realization for OXYGEN



Allowed loading

Static : 75% from range
Variable : 66% from range
For a short term : 100% from range

Dimensions of manometer (mm)



TYPE	D	a	b	c	Z
03304-P	63	30	53	11	M12x1,5 (G1/4")
03304-TP	63	30	53	11	M12x1,5 (G1/4")
03358-P	63	30		51	M12x1,5 (G1/4")

Standard manometer with bronze bourdon tube \varnothing 63mm

Type :

03304-P
03304-TP
03358-P



Producing ranges

Range	Code of range	03304-P	03304-TP	03358-P
0-60kPa	01			
0-100kPa	02	X	X	X
0-160kPa	03	X	X	X
0-250kPa	04	X	X	X
0-400kPa	05	X	X	X
0-600kPa	06	X	X	X
0-1MPa	07	X	X	X
0-1,6MPa	08	X	X	X
0-2,5MPa	09	X	X	X
0-4MPa	10	X	X	X
0-6MPa	11	X	X	X
0-10MPa	12	X	X	X
0-16MPa	13	X	X	X
0-25MPa	14	X	X	X
0-31,5MPa	29	X	X	X
0-40MPa	15	X	X	X
-100-0kPa	20	X	X	X
-100-0-60kPa	21	X	X	X
-100-0-150kPa	22	X	X	X
-100-0-300kPa	23	X	X	X
-100-0-500kPa	24	X	X	X
-100-0-900kPa	25	X	X	X
-0,1-0-1,5MPa	26	X	X	X
-0,1-0-2,4MPa	27	X	X	X