

All stainless steel and shock resistance manometer $\varnothing 63$ mm

Type : **03304-CHV**
03304-CHG /glycerin/
03358-CHV
03358-CHG /glycerin/

Application :

For gaseous and liquid media that will not obstruct the pressure system.

Description :

Construction

STN EN 837

Protection

IP 65, according to STN EN 60 529

Connection

Radial (lower), axial (back)

Accuracy class

1,6 %

Type / Diameter / Connection / Thread / Accuracy class

03304-CHV / $\varnothing 63$ mm /radial / M12x1,5 (G1/4") / 1,6

03304-CHG / $\varnothing 63$ mm /radial / M12x1,5 (G1/4") / 1,6

03358-CHV / $\varnothing 63$ mm / axial / M12x1,5 (G1/4") / 1,6

03358-CHG / $\varnothing 63$ mm / axial / M12x1,5 (G1/4") / 1,6

Allowed temperature

ambient : -20 ... +60°C

medium : max. +60°C

Material

Measuring element: bourdon tube
 stainless steel 1.4571

Connection : stainless steel 1.4301

Movement : stainless steel 1.4301

Case : stainless steel 1.4301

Visor : plastic

Dial : white aluminium dial marking black

Pointer : aluminium black color

Options

- scala in units „bar“, „PSI“, and other
- atypical eventually double scala
- other connection (thread) on special request
- option mounting with diaphragm separator
- construction with trailing pointer
- realization for OXYGEN



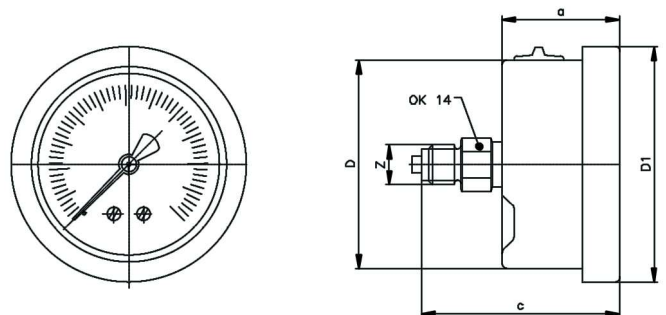
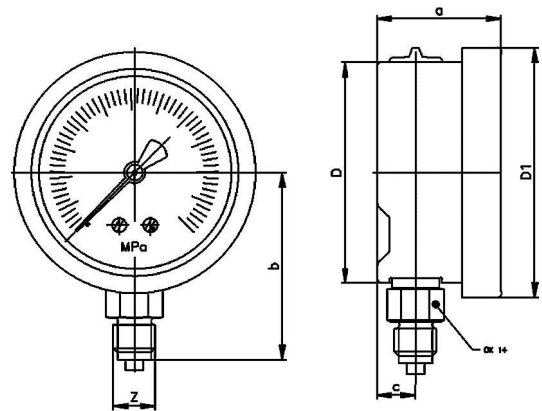
Allowed loading

Static : 75% from range

Variable : 66% from range

For a short term : 100% from range

Dimensions of manometer (mm)



TYPE	D	D1	a	b	c	Z
03304-CHV	61	69	31	53	11	M12x1,5 (G1/4")
03304-CHG	61	69	31	53	11	M12x1,5 (G1/4")
03358-CHV	61	69	31		51	M12x1,5 (G1/4")
03358-CHG	61	69	31		51	M12x1,5 (G1/4")

All stainless steel and shock resistance manometer ø 63 mm

Type :

03304-CHV
03304-CHG /glycerin/
03358-CHV
03358-CHG /glycerin/



Producing ranges

Range	Code of range	03304-CHV	03304-CHG	03304-CHV	03358-CHG
0-60kPa	01				
0-100kPa	02	X	X	X	X
0-160kPa	03	X	X	X	X
0-250kPa	04	X	X	X	X
0-400kPa	05	X	X	X	X
0-600kPa	06	X	X	X	X
0-1MPa	07	X	X	X	X
0-1,6MPa	08	X	X	X	X
0-2,5MPa	09	X	X	X	X
0-4MPa	10	X	X	X	X
0-6MPa	11	X	X	X	X
0-10MPa	12	X	X	X	X
0-16MPa	13	X	X	X	X
0-25MPa	14	X	X	X	X
0-31,5MPa	29	X	X	X	X
0-40MPa	15	X	X	X	X
-100-0kPa	20	X	X	X	X
-100-0-60kPa	21	X	X	X	X
-100-0-150kPa	22	X	X	X	X
-100-0-300kPa	23	X	X	X	X
-100-0-500kPa	24	X	X	X	X
-100-0-900kPa	25	X	X	X	X
-0,1-0-1,5MPa	26	X	X	X	X
-0,1-0-2,4MPa	27	X	X	X	X