

All stainless steel manometer with bourdon tube \varnothing 63 mm



Type : 03304-CH

Application :

For gaseous and liquid media that will not obstruct the pressure system.

Description :

Construction

STN EN 837

Protection

IP 43, according to STN EN 60 529

Connection

Radial (lower)

Accuracy class

1,6 %

Type / Diameter / Connection / Thread / Accuracy class

03304-CH / \varnothing 63 mm / radial / M12x1,5 (G1/4") / 1,6

Allowed temperature

ambient : -20 ... +60°C
medium : max. +60°C

Material

Measuring element: bourdon tube
stainless steel 1.4571
Connection : stainless steel 1.4301
Movement : stainless steel 1.4301
Case : stainless steel 1.4301
Visor : plastic
Dial : white aluminium dial marking black
Pointer : aluminium black color

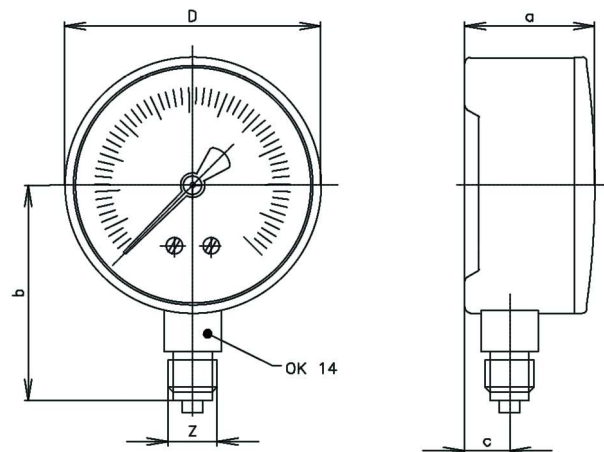
Options

- scala in units „bar“, „PSI“, and other
- atypical eventually double scala
- other connection (thread) on special request
- option mounting with diaphragm separator
- construction with trailing pointer
- realization for OXYGEN

Allowed loading

Static : 75% from range
Variable : 66% from range
For a short term : 100% from range

Dimensions of manometer (mm)



TYPE	D	a	b	c	Z
03304-CH	63	30	53	11	M12x1,5 (G1/4")

All stainless steel manometer with bourdon tube \varnothing 63 mm



Type : **03304-CH**

Producing ranges

Range	Code of range	03304-CH
0-60kPa	01	
0-100kPa	02	X
0-160kPa	03	X
0-250kPa	04	X
0-400kPa	05	X
0-600kPa	06	X
0-1MPa	07	X
0-1,6MPa	08	X
0-2,5MPa	09	X
0-4MPa	10	X
0-6MPa	11	X
0-10MPa	12	X
0-16MPa	13	X
0-25MPa	14	X
0-31,5MPa	29	X
0-40MPa	15	X
-100-0kPa	20	X
-100-0-60kPa	21	X
-100-0-150kPa	22	X
-100-0-300kPa	23	X
-100-0-500kPa	24	X
-100-0-900kPa	25	X
-0,1-0-1,5MPa	26	X
-0,1-0-2,4MPa	27	X