

# Standard manometer with bronze bourdon tube - EKONOMY ø 63mm



**Type :**

**03304-AZ  
03358-AZ**

**Application :**

For gaseous and liquid media that will not obstruct the pressure system or attack copper alloy parts.

**Description :**

**Construction**  
STN EN 837

**Protection**

IP 43, according to STN EN 60 529

**Connection**

Radial (lower), axial (back)

**Accuracy class**

1,6 %

**Type / Diameter / Connection / Thread / Accuracy class**

03304-AZ / ø63 mm / radial / M12x1,5 (G1/4") / 1,6  
03358-AZ / ø63 mm / axial / M12x1,5 (G1/4") / 1,6

**Allowed temperature**

ambient : -20 ... +60°C  
medium : max. +60°C

**Material**

Measuring element : bronze bourdon tube „C“  
Connection : brass  
Movement : brass  
Case : black steel  
Visor : glass  
Dial : white aluminium dial marking black  
Pointer : aluminium black color

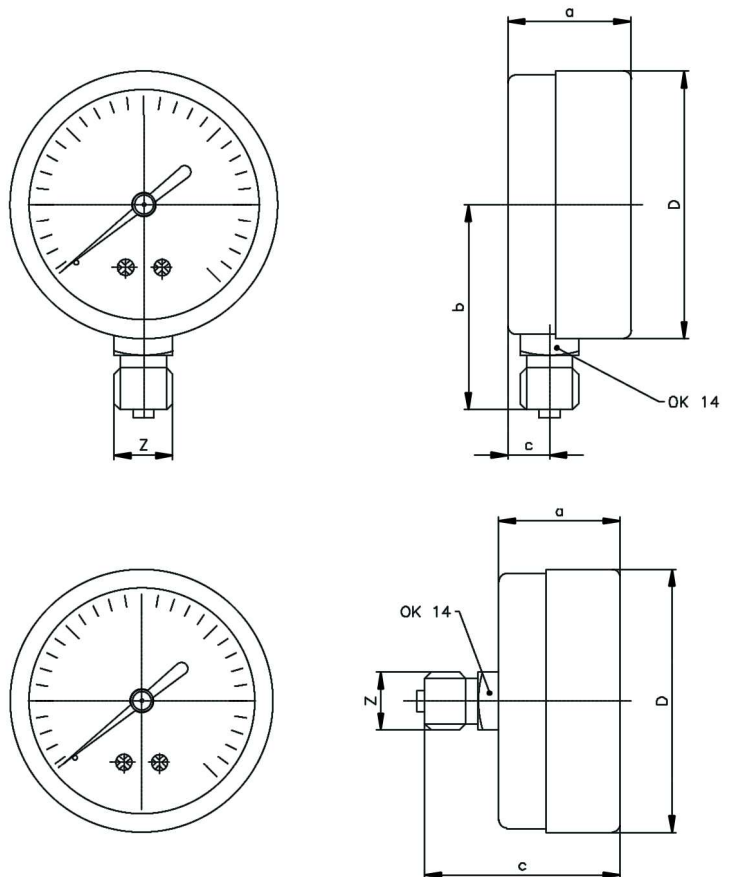
**Options**

- scala in units „bar“
- option mounting with diaphragm separator
- construction with trailing pointer

**Allowed loading**

Static : 75% from range  
Variable : 66% from range  
For a short term : 100% from range

**Dimensions of manometer (mm)**



TYPE	D	a	b	c	Z
03304-AZ	63	28	51	10	M12x1,5 (G1/4")
03358-AZ	63	28		48	M12x1,5 (G1/4")

## Standard manometer with bronze bourdon tube - EKONOMY ø 63mm

Type :

**03304-AZ**  
**03358-AZ**



Producing ranges

Range	Code of range	03304-AZ	03358-AZ
0-60kPa	01		
0-100kPa	02	X	X
0-160kPa	03	X	X
0-250kPa	04	X	X
0-400kPa	05	X	X
0-600kPa	06	X	X
0-1MPa	07	X	X
0-1,6MPa	08	X	X
0-2,5MPa	09	X	X
0-4MPa	10	X	X
0-6MPa	11	X	X
0-10MPa	12	X	X